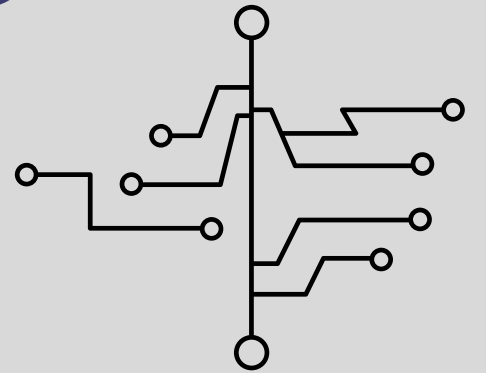
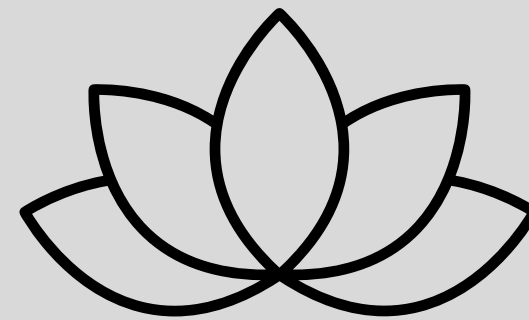
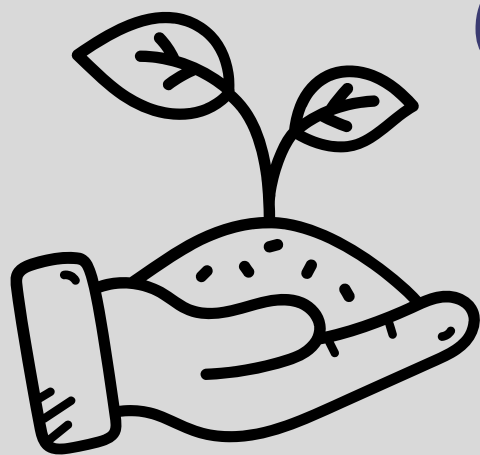


ORANGE COUNTY 4-H ANNUAL KICKOFF



**MONDAY, OCTOBER 21, 2024
5-7PM @ ORANGE COUNTY
COMMUNITY CENTER**



**OPEN TO ALL
YOUTH IN
GRADES K-12**

**YOUTH CAN LEARN ALL
ABOUT APPLES,
HEALTHY LIFESTYLES,
GIVING BACK TO THE
COMMUNITY, STEM
TECHNOLOGIES,
AGRICULTURE AND
MORE!!!**



**ENROLL
TODAY!!**

LEARN ABOUT OUR
REFER-A-FRIEND
PROGRAM

Questions??

Call our office at 812-723-7107

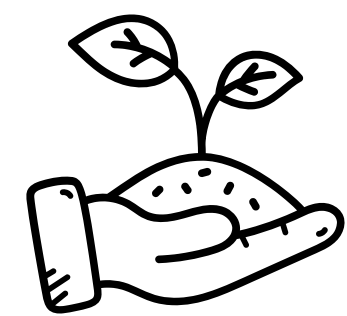


**PURDUE
UNIVERSITY**

Extension - 4-H Youth
Development

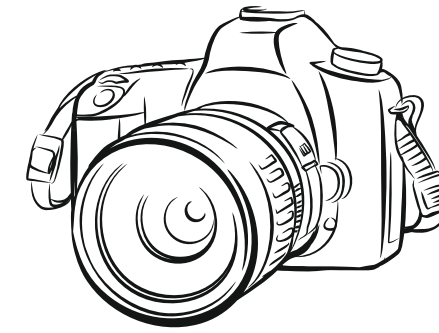


Purdue University is an equal opportunity/equal access/affirmative action institution. If you are in need of accommodations to attend this program, please contact Julie Carrell, 4-H/ANR Extension Educator, at 812-723-7107 or carrell@purdue.edu, at least 2 weeks prior to the event.



4-H is.....

LEADERSHIP



New Friends, Life & Leadership Skills, Camps, School Based Programs, Fair Projects, Competitions, Clubs, and FUN!!



For youth in grades 3-12 the program fee is \$15 and the fee is free for Mini 4-Hers (grades K-2).



The 4-H program year runs from October 1st through September 30th.



Owning an animal is **NOT** required to join the Orange County 4-H program.

What do the four H's stand for?

Head

4-H gives you the opportunity to think and learn about new and exciting things.

Heart

4-H encourages positive relationships between you, your peers, adults, and your community.

Hands

4-H focuses on hands-on learning and serving.

Health

4-H helps you learn about making choices for a healthy lifestyle.

For more information and any questions, please contact our office at 812-723-7107.